

C/L® Variable-Speed Compact Pumps

Pump in even the tightest spaces!

- Pump fluids in either direction—easily switchable reversing motor
- Stop/start remotely via contact closure
- MAX button quickly primes or purges tubing
- Both pumps include 5 ft (1.5 m) of 0.89-mm ID Tygon® E-LFL tubing.

A. C/L Single-Channel Pumps

- Quick and easy tubing changes—open cover and release occlusion bed in one motion
- Pump from 0.002 to 43 mL/min
- Pump head made from polyphenylene sulfide, acetal, and copolyester; stainless steel rollers

B. C/L Dual-Channel Pumps

- Pump from 0.002 to 12.3 mL/min per channel, depending on drive and tubing
- Pump head made of polyphenylene sulfide and stainless steel; rollers made of acetal co-polymer



Tubing retainers firmly grip tubing—no need to adjust occlusion

FEATURES

- ✓ Flow range: 0.002 to 43 mL/min
- ✓ 1/4-DIN housing is perfect for panel mounting
- ✓ Reversible pumping
- ✓ Stop/start remote control capabilities



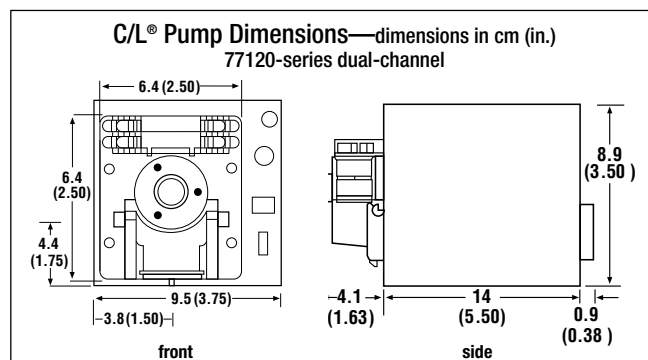
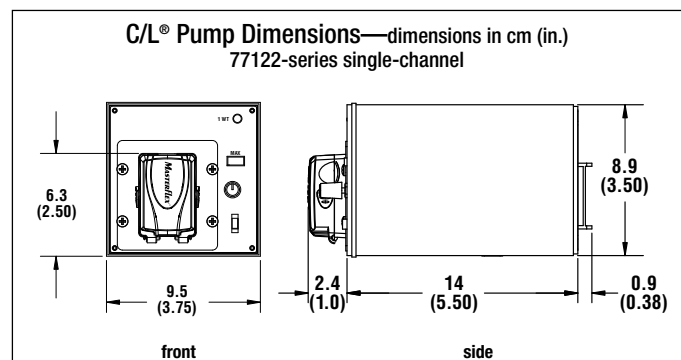
Low-flow pumps for chromatography, filtration, dispensing and...



...the ideal pump system for flow-through analyzer applications

Flow Rates in mL/min

rpm	Microbore pump tubing size (ID)							
	0.19 mm	0.25 mm	0.51 mm	0.89 mm	1.14 mm	1.42 mm	2.06 mm	2.79 mm
A. C/L single-channel compact pumps								
1.7 to 10	0.002 to 0.013	0.004 to 0.022	0.015 to 0.087	0.041 to 0.25	0.064 to 0.39	0.09 to 0.57	0.18 to 1.05	0.28 to 1.65
13 to 80	0.017 to 0.10	0.03 to 0.18	0.12 to 0.70	0.33 to 2.0	0.52 to 3.1	0.75 to 4.5	1.4 to 8.5	1.8 to 11.0
50 to 300	0.06 to 0.38	0.11 to 0.67	0.43 to 2.6	1.2 to 7.4	1.9 to 11.5	2.8 to 17.0	5.3 to 32	7.2 to 43
B. C/L dual-channel compact pumps								
1 to 6	0.002 to 0.013	0.0028 to 0.017	0.012 to 0.07	0.036 to 0.20	0.057 to 0.34	0.08 to 0.49	0.15 to 0.88	0.22 to 1.3
10 to 60	0.02 to 0.13	0.03 to 0.18	0.12 to 0.70	0.36 to 2.1	0.55 to 3.3	0.8 to 4.9	1.5 to 8.9	2.1 to 12.3



Ordering Information for C/L® Pumps

ISO 9001:2008
CERTIFIED SUPPLIER

Power supplies are:



rpm	Speed control (repeatability)	Number of channels	Number of rollers	Reversible motor	IP rating	Dimensions—¼ DIN (L x W x H)	Power		Catalog number	Price
							VAC, Hz	Amps		
A. C/L single-channel compact pumps										
1.7 to 10	±5%	1	4	Yes	IP22	7" x 3¼" x 3½" (17.8 x 9.5 x 8.9 cm)	90 to 260, 50/60	110 mA at 115 VAC	GY-77122-04	
							12 VDC†	—	GY-77122-06	
13 to 80							90 to 260, 50/60	175 mA at 115 VAC	GY-77122-14	
							12 VDC†	—	GY-77122-16	
50 to 300							90 to 260, 50/60	400 mA at 115 VAC	GY-77122-24	
							12 VDC†	—	GY-77122-26	
B. C/L dual-channel compact pumps										
1 to 6	±5%	2	6	Yes	IP22	7½" x 3¾" x 3½" (19 x 9.5 x 8.9 cm)	90 to 260, 50/60	110 mA at 115 VAC	GY-77120-32	
							12 VDC†	—	GY-77120-52	
10 to 60							90 to 260, 50/60	175 mA at 115 VAC	GY-77120-42	
							12 VDC†	—	GY-77120-62	

†Power supply not included with 12 VDC models.

[GY-77120-03](#) Brackets for panel mounting.

Set of 2

[GY-77200-07](#) Replacement power supply, 100 to 240 VAC, for pump 77122-24

[GY-77120-11](#) Replacement power supply, 100 to 240 VAC, for pumps 77122-04, -14; 77120-32 and -42



Order brackets 77120-03 to mount your C/L® pump to an equipment rack.

Microbore Pump Tubing Ordering Information

Pump tubing formulation	Description	Tube ID (mm)							
		0.19	0.25	0.51	0.89	1.14	1.42	2.06	2.79
Tygon® E-Lab	— USP Class VI, FDA, EU Food, NSF-51, REACH, RoHS, ADFC compliant	GY-06460-10	GY-06460-12	GY-06460-18	GY-06460-26	GY-06460-30	GY-06460-34	GY-06460-42	GY-06460-48
	— Nonaging, nonoxidizing, low gas permeability	100 ft (30.4 m)/pk	100 ft (30.4 m)/pk	100 ft (30.4 m)/pk	100 ft (30.4 m)/pk	100 ft (30.4 m)/pk	100 ft (30.4 m)/pk	100 ft (30.4 m)/pk	100 ft (30.4 m)/pk
Silicone (platinum-cured)	— Complies with USP Class V, EP, FDA, REACH, RoHS, ADFC	—	—	GY-95590-18	GY-95590-26	GY-95590-30	GY-95590-34	GY-95590-42	GY-95590-48
	— Low protein binding, fungus-resistant, phthalate & latex free — Accommodates a wide temperature range	—	—	50 ft (15.2 m)/pk	50 ft (15.2 m)/pk	50 ft (15.2 m)/pk	50 ft (15.2 m)/pk	50 ft (15.2 m)/pk	50 ft (15.2 m)/pk
Silicone (peroxide-cured)	— Complies with USP Class VI, EP, FDA, 3A, REACH, RoHS, ADFC	—	—	—	GY-07625-26	GY-07625-30	GY-07625-34	GY-07625-42	GY-07625-48
	— Greater physical compression capability — Economical, longer tubing life	—	—	—	50 ft (15.2 m)/pk	50 ft (15.2 m)/pk	50 ft (15.2 m)/pk	50 ft (15.2 m)/pk	50 ft (15.2 m)/pk
PharMed® BPT	— Complies with USP Class VI, EP, FDA, NSF-51, REACH, RoHS	—	GY-95809-12	GY-95809-18	GY-95809-26	GY-95809-30	GY-95809-34	GY-95809-42	GY-95809-48
	— Over 10,000 hours of tubing life — Ideal for tissue and cell culture work	—	100 ft (30.4 m)	100 ft (30.4 m)	100 ft (30.4 m)	100 ft (30.4 m)	100 ft (30.4 m)	100 ft (30.4 m)	100 ft (30.4 m)
Tygon E-LFL (long flex life)	— Complies with USP Class VI, EP, FDA, EU Food, REACH, RoHS, ADFC	GY-06449-10	GY-06449-12	GY-06449-18	GY-06449-26	GY-06449-30	GY-06449-34	GY-06449-42	GY-06449-48
	— Longest life of Tygon formulations; good chemical resistance	100 ft (30.4 m)	100 ft (30.4 m)	100 ft (30.4 m)	100 ft (30.4 m)	100 ft (30.4 m)	100 ft (30.4 m)	100 ft (30.4 m)	100 ft (30.4 m)
Viton®	— Complies with FDA, ADFC — Broad chemical compatibility	—	—	—	GY-97632-26	GY-97632-30	GY-97632-34	GY-97632-42	GY-97632-48
	— Resists corrosives, solvents, & oils at elevated temperatures	—	—	—	50 ft (15.2 m)/pk	50 ft (15.2 m)/pk	50 ft (15.2 m)/pk	50 ft (15.2 m)/pk	50 ft (15.2 m)/pk
Puri-Flex™	— USP Class VI, FDA, REACH, RoHS, ADFC compliant	GY-96418-10	GY-96418-12	GY-96418-18	GY-96418-26	GY-96418-30	GY-96418-34	GY-96418-42	GY-96418-48
	— Heat sealable, weldable, and economical — Long pump life when compared to silicone or many TPE tubings	50 ft (15.2 m)/pk	50 ft (15.2 m)/pk	50 ft (15.2 m)/pk	50 ft (15.2 m)/pk	50 ft (15.2 m)/pk	50 ft (15.2 m)/pk	50 ft (15.2 m)/pk	50 ft (15.2 m)/pk
C-Flex®	— USP Class VI, EP, REACH, RoHS, ADFC compliant	GY-95718-10	GY-95718-12	GY-95718-18	GY-95718-26	GY-95718-30	GY-95718-34	GY-95718-42	GY-95718-48
	— Heat sealable, weldable, economical — Better resistance to pH fluctuations	50 ft (15.2 m)/pk	50 ft (15.2 m)/pk	50 ft (15.2 m)/pk	50 ft (15.2 m)/pk	50 ft (15.2 m)/pk	50 ft (15.2 m)/pk	50 ft (15.2 m)/pk	50 ft (15.2 m)/pk
Solvent / hydrocarbon	— Resistant to ozone and UV light—won't crack, swell, or harden	GY-95712-10	GY-95712-12	GY-95712-18	GY-95712-26	GY-95712-30	GY-95712-34	GY-95712-42	GY-95712-48
	— Translucent yellow color — Temp range: -50 to 74°C (-58 to 165°F)	50 ft (15.2 m)/pk	50 ft (15.2 m)/pk	50 ft (15.2 m)/pk	50 ft (15.2 m)/pk	50 ft (15.2 m)/pk	50 ft (15.2 m)/pk	50 ft (15.2 m)/pk	50 ft (15.2 m)/pk